

Capacities 75,000 lbs (34 tonnes)

Nickel plated alloy steel

IP67 protection

For use with ball and cup type mounting model M4002

6 wire (sense) circuit

Output standardised to $\pm 0.1\%$

Model 4158-C is a low cost truck scale load cell made from nickel plated alloy steel and is supplied complete with a mounting arrangement of the ball and cup type, as preferred by many truck scale manufacturers.

Protected to meet IP67 requirements, the construction of the 4158-C load cell uses double-redundant sealing methods, to ensure long and reliable service and constant calibration. For IP68 applications, select the fully-welded stainless steel load cell models 120 or 220.

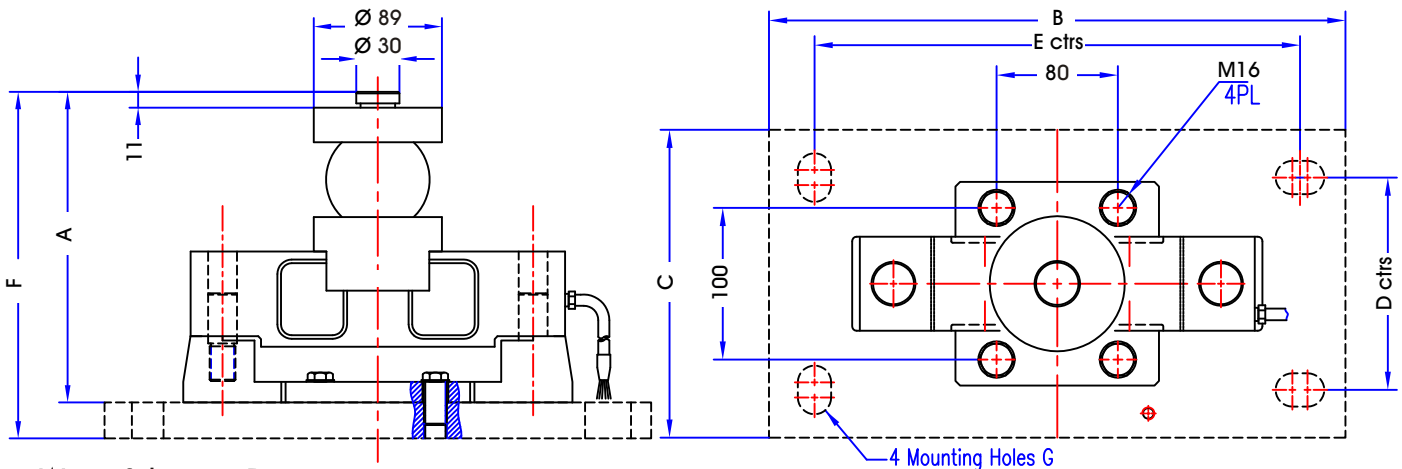
The additional sense wires compensate for changes in lead resistance due to temperature change and/or cable extension. Complete compensation of changes in lead resistance is achieved by feeding this voltage into appropriate electronics.

4 | 58 - C
Model 4158-C Truck scale load cell

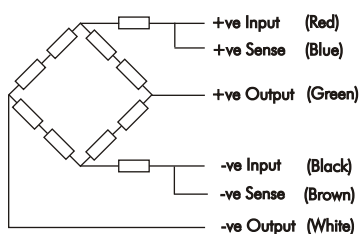
4158-C SPECIFICATION

GRADE	E	F	G	UNITS
Rated Capacities:	75000 lb (34090 kg)			kg
Rated Output	3.0 ± 0.1%			mV/V
Total Error	0.05	0.03	0.02	±% of Rated Output
Zero Return after 30 mins	0.05	0.03	0.017	±% of Applied Load
Temperature Effect : On Output	0.003	0.0014	0.0012	±% of Applied Load/°C
: On Zero	0.01	0.006	0.004	±% of Rated Output/°C
				±% of Applied Load/cm
Zero Balance	5	2	2	±% of Rated Output
Temperature Range : Operating	-30 to +70			°C
: Compensated	-10 to +40			°C
Safe Overload	150			% of Rated Capacity
Ultimate Overload	300			% of Rated Capacity
Excitation : Recommended	10			Volts AC or DC
: Maximum	15			Volts AC or DC
Input Impedance	780 ± 20			Ohms
Output Impedance	705 ± 3			Ohms
Insulation Impedance	>2000			MegaOhms
Deflection at Rated Capacity	<0.4			mm
Weight	Load cell : 7.9 kg, Mounting : 9.3 kg			
Construction	Load cell : nickel plated alloy steel			
Environmental Protection	IP67			
Cable	15m, 6-wire, 26 AWG, braid shield, PVC jacket			

4158-C and M4002 mounting, all dimensions in mm



Wiring Schematic Diagram
(Balanced bridge configuration)



DIMENSIONS	A	(B)	(C)	(D)	(E)	(F)	(G)
in mm	229.3	380	203	140	320	255	∅22x32

The mounting plate with dimensions B, C, D, E, F, G is not included with the M4002 mounting

TEDEA th
HUNTLEIGH
EXCELLENCE IN LOAD CELLS

Due to Tedeia-Huntleigh's policy of continuous development, these specifications are subject to change without notice. Tedeia-Huntleigh is the world's leading manufacturer of high quality, high accuracy load cells in volume production. Our manufacturing facilities are ISO 9000 registered. For further details please contact Tedeia-Huntleigh or your local distributor, or visit our website at:

<http://www.tedeia-huntleigh.com>

Europe

Tedeia-Huntleigh Europe Ltd.
37 Portmanmoor Road,
Cardiff
CF24 5HE
United Kingdom.
Tel: +44(0)29-20460231
Fax: +44(0)29-20462173

International

Tedeia-Huntleigh International Ltd
5 Hazoran St,
New Industrial Zone
P.O. Box 8381, Netanya 42506,
Israel.
Tel: +972-9-863-8888
Fax: +972-9-863-8800

China

Beijing Tedeia-Huntleigh.
No. 16 Hong Da Bei Lu,
Da Xing County, Beijing Economic
& Technology Development Area,
Beijing 100176. China
Tel: +86-10-67881604-09
Fax: +86-10-67881576

Germany

Tedeia-Huntleigh GmbH.
Mümlingweg 18
D-64297
Darmstadt-Eberstadt,
Germany.
Tel: +49-6151-94460
Fax: +49-6151-944640

USA

Tedeia-Huntleigh Incorporated.
20630 Plummer Street,
Chatsworth,
California, 91311.
USA
Tel: +1-818-701-2700
Fax: +1-818-701-2799

France

SEEA sa.
16 Rue Francis Vovelle
28000 Chartres,
France.
Tel: +33-2-37-33-31-20
Fax: +33-2-37-33-31-20